

# UMP LAB PROFILE



FTEK

ET-WS-01

WORKSHOP

Version  
29th September 2016

# BASIC INFORMATION

**Location:**

FTek, Block TTI, Ground Floor

**Cluster:**

Manufacturing, Mechanical

No	Item	Status
1	Area	67.7' x 110.1 '
2	Supply	single phase & 3 phase
3	Communication point	None
4	Gases	Compressed Air
5	AV System	None
6	Store	Yes (10.3' x 54.9')
7	Bilik Persediaan Makmal	None
8	Air Conditioning	None
9	Others (utilities)	Tap water

# LIST OF EQUIPMENTS

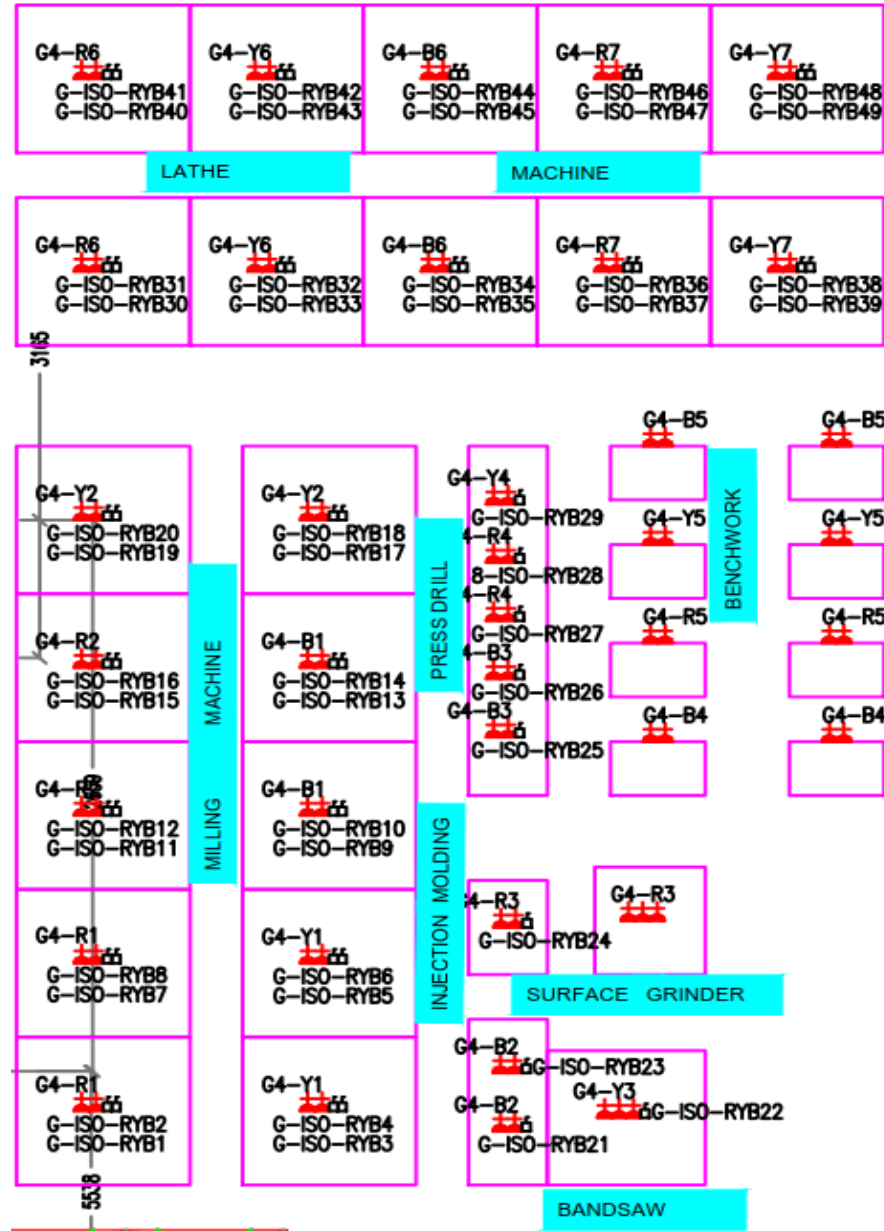
## Nature of Equipments

- This lab consist of basic manufacturing processses equipments such as milling, turning and etc.
- Experiments/hands on approaches are related to the simple processes involved in mechanical and manufacturing engineering, preparing students to the real situation in industries with Problem Base Learning approach.

No	Item	Quantity	Status	usage
1	Milling Machine	10	10 ok	PnP
2	Lathe Machine	10	9 ok 1 maintenance	PnP
3	Bandsaw	2	2 ok	PnP
4	Injection Molding	1	1 maintenance	PnP
5	Press Drill	3	3 ok	PnP
6	Surface Grinder	2	2 ok	PnP
7	Benchwork equipments	10	10 ok	PnP

---

# LAB LAYOUT





# LAB PICTURES

